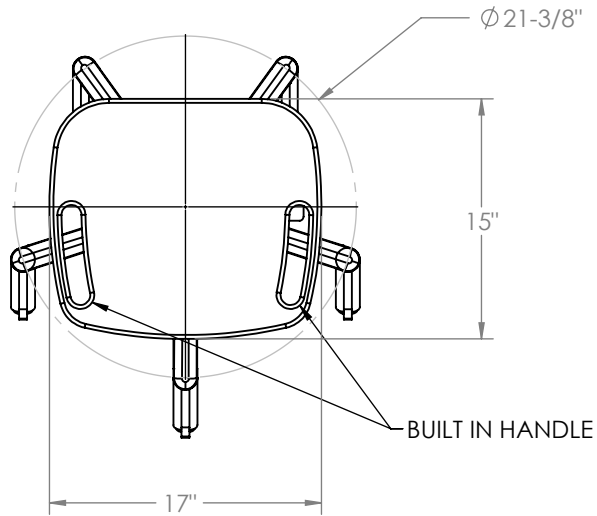
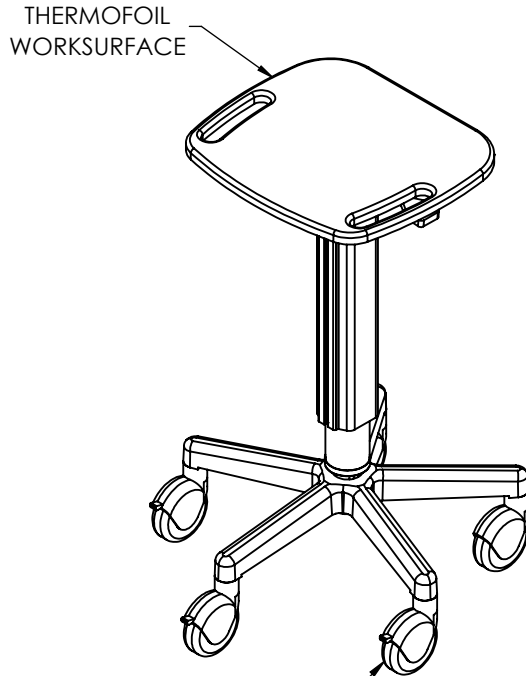


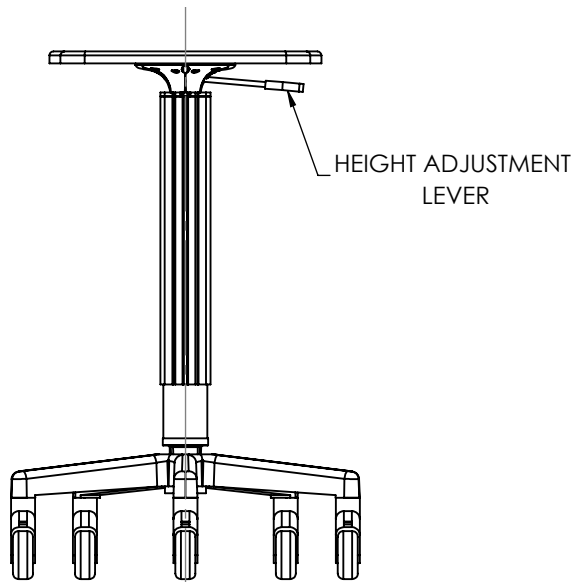
SPEC DRAWING



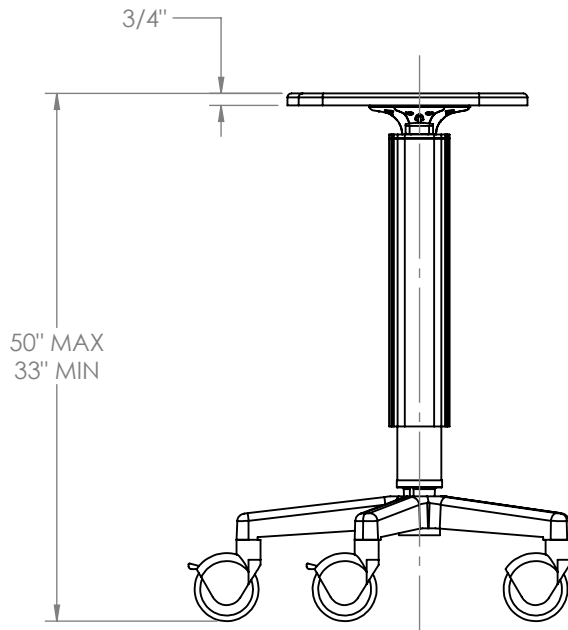
TOP VIEW



(2) 4" COVERED CASTERS - LOCKING
 (2) 4" COVERED CASTERS - NON LOCKING



FRONT VIEW



PROPRIETARY AND CONFIDENTIAL

THE INFORMATION CONTAINED IN THIS DRAWING IS THE SOLE PROPERTY OF FIRST HEALTHCARE PRODUCTS. ANY REPRODUCTION IN PART OR AS A WHOLE WITHOUT THE WRITTEN PERMISSION OF FIRST HEALTHCARE PRODUCTS IS PROHIBITED.

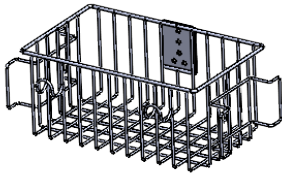


DESCRIPTION:

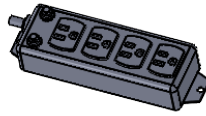
MOV-IT TABLET CART

SIZE A	CART NO. MOVITTC	REV -
WEIGHT: 30 LBS.		SHEET 1 OF 2

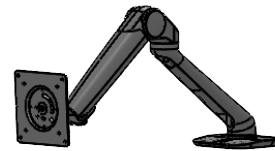
ACCESSORY OPTIONS



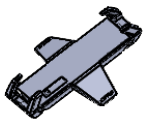
B6W
BASKET W/HOOKS, 13"x8"x6"



E1T
TRIPP-LITE LIT, 10'
CURLY DRIVE



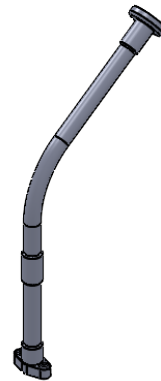
M3T
ERGOTRON ARM



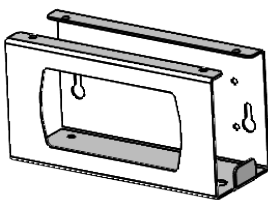
M4T
LOCKABLE TABLET MOUNT



M12
JABRA MOUNT



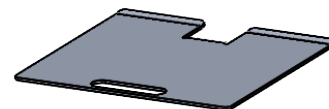
M14
20" FLEX ARM W/MAGNET



M20
SINGLE GLOVE BOX



M21
CAVI WIPE KIT



M25
SHROUD MOUNTED SHELF

PROPRIETARY AND CONFIDENTIAL

THE INFORMATION CONTAINED IN THIS DRAWING IS THE SOLE PROPERTY OF FIRST HEALTHCARE PRODUCTS. ANY REPRODUCTION IN PART OR AS A WHOLE WITHOUT THE WRITTEN PERMISSION OF FIRST HEALTHCARE PRODUCTS IS PROHIBITED.



DESCRIPTION:

MOV-IT TABLET CART

SIZE A	CART NO. MOVITTC	REV -
WEIGHT: 30 LBS.		SHEET 2 OF 2